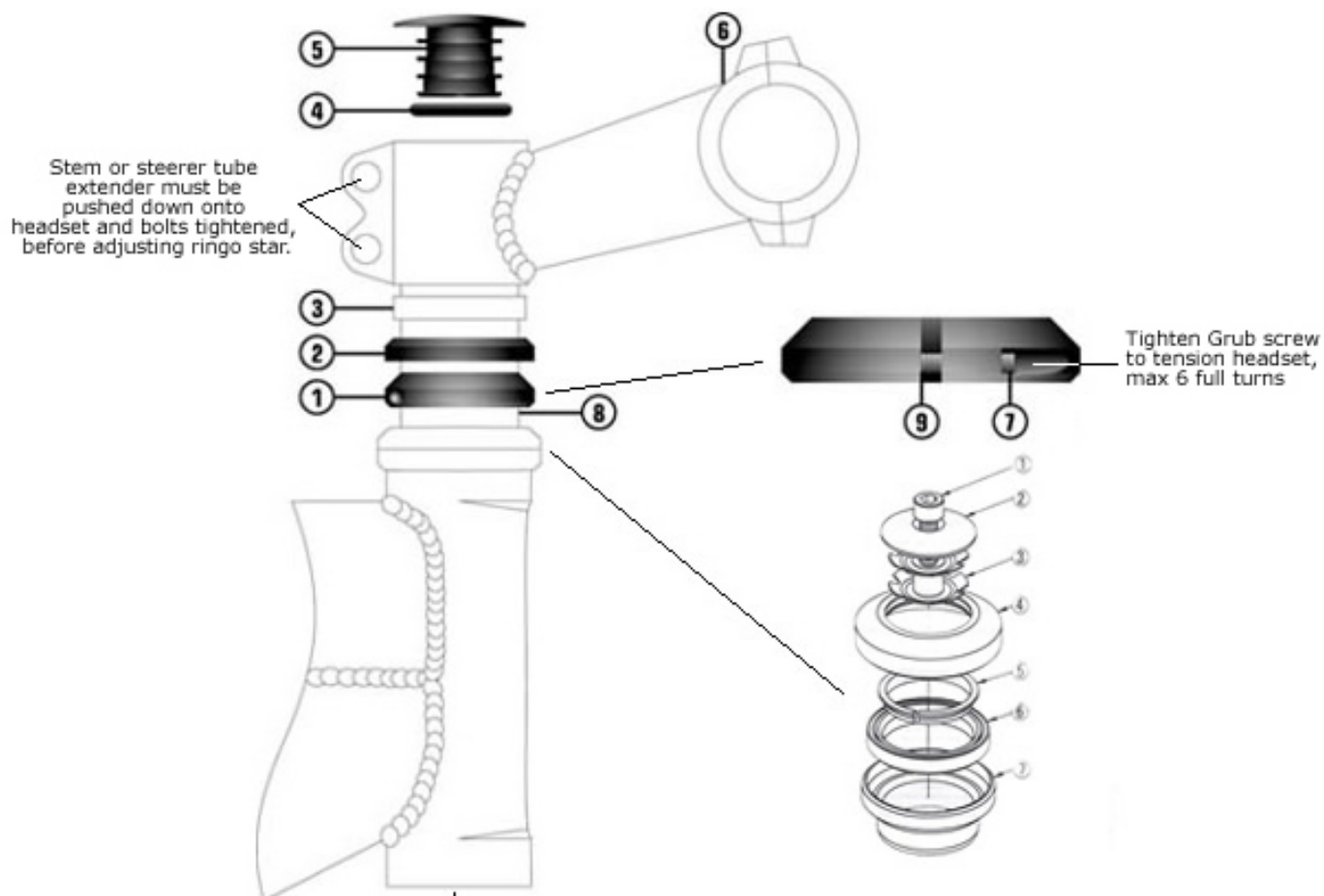


# Headset and Ringo Star setup



## Ringo Star

1. Lower ring
2. Upper ring
3. Spacers (Provided with bike)
4. Top cap o ring
5. Top cap (as replacement for parts 1, 2 and 3 on headset)
6. Stem or steerer tube extender
7. Grub screw to adjust tension
8. Fork Steerer
9. Split in lower ring

## Headset

1. Top Cap Bolt
2. Top Cap
3. Star nut
4. Upper bearing cover
5. Compression Ring
6. Upper Bearing
7. Upper Cup
8. Lower Cup
9. Lower Bearing
10. Washer (not included)
11. Crown Race



## **Fork**